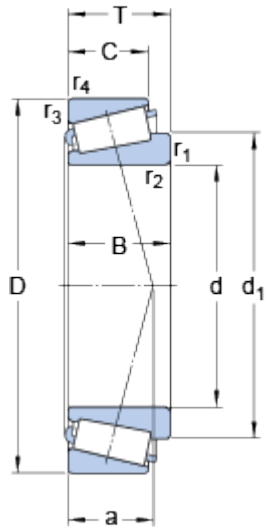


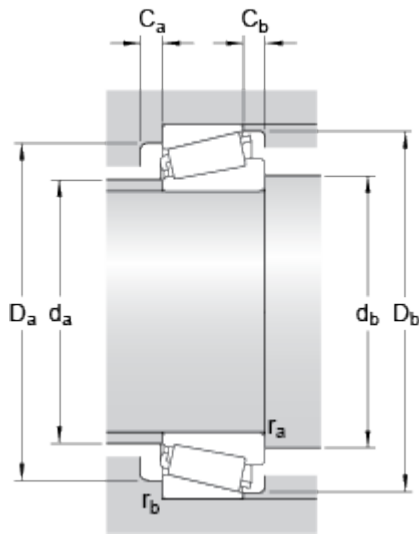
LM 102949/910/Q

Dimensions



d		45.242	mm
D		73.431	mm
T		19.558	mm
d ₁	≈	59.4	mm
B		19.812	mm
C		15.748	mm
r _{1,2}	min.	3.5	mm
r _{3,4}	min.	0.8	mm
a		15	mm

Abutment dimensions



d _a	max.	52	mm
d _b	min.	57	mm
D _a	min.	66	mm
D _a	max.	68	mm
D _b	min.	70	mm
C _a	min.	3	mm
C _b	min.	3.5	mm
r _a	max.	3.3	mm
r _b	max.	0.8	mm

Calculation data

Basic dynamic load rating	C	53.9	kN
Basic static load rating	C ₀	75	kN
Fatigue load limit	P _u	8.2	kN
Reference speed		6700	r/min
Limiting speed		9500	r/min
Calculation factor	e	0.3	
Calculation factor	Y	2	

Calculation factor

Y_0

1.1

Mass

Mass bearing

0.308

kg